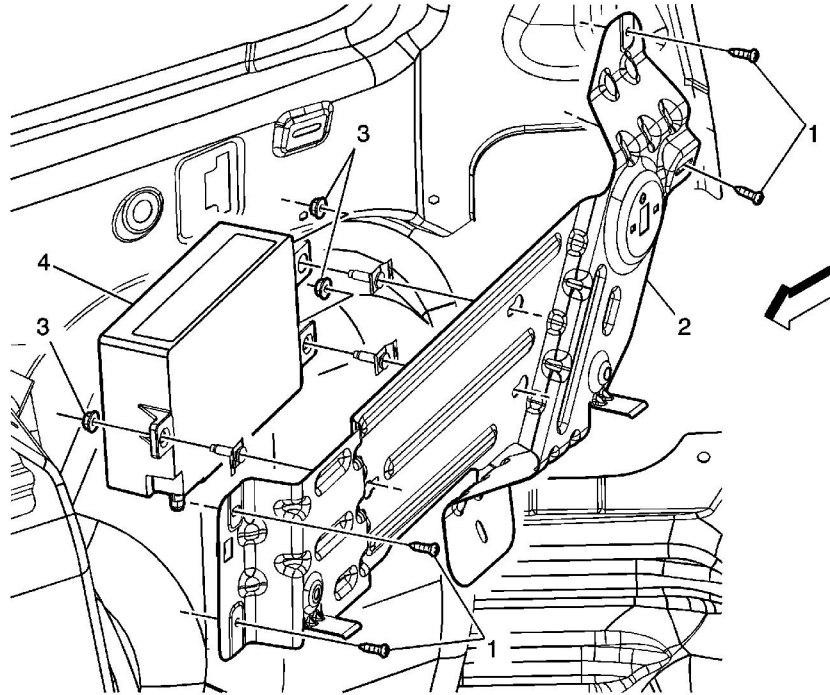


# Communication Interface Module Replacement



Callout	Component Name
<p><b>Preliminary Procedures</b></p> <ol style="list-style-type: none"> <li>1. Remove the rear seat. Refer to <a href="#">Rear Seat Replacement</a> .</li> <li>2. Remove the right rear quarter lower trim panel. Refer to <a href="#">Quarter Lower Rear Trim Panel Replacement</a> .</li> </ol>	
1	<p>Quarter Inner Trim Panel Bracket Screw (Qty: 4)</p> <p><b>Notice:</b> Refer to <a href="#">Fastener Notice</a> in the Preface section.</p> <p><b>Tighten</b> 10 N·m (89 lb in)</p>
2	<p>Quarter Inner Trim Panel Bracket</p>
3	<p>Communication Interface Module Nut (Qty: 3)</p> <p><b>Tighten</b> 10 N·m (89 lb in)</p>
	<p>Communication Interface Module</p> <p><b>Procedure</b></p>

© 2011 General Motors Corporation. All rights reserved.

4

1. Disconnect the electrical connector.
2. Reprogram the communication interface module after installation. Refer to [Control Module References](#) .